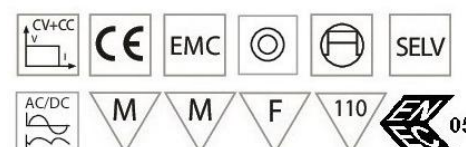


## LED drivers – PLR & PLJ Round

Constant current and voltage LED driver / Alimentatore per LED a corrente e tensione costante

Made in Italy 



230 VAC supply										
Part number Codice prodotto	P out W @230V	V out LED @230V		U out DC (V max)	I out DC (mA)	$\lambda$ Power Factor	Efficiency @230V	ta °C	tc °C	Mark
		Min	Max							
A40PLR1061WB	8,4	2,75	21*	24	350mA	0,5	77%	-10°...+40°C	70	ENEC 05
A40PLR1101WB	10,5	2,75	30	35	350mA	0,5	80%	-10°...+40°C	70	ENEC 05
A40PLR2041WB	8,4	2,75	17	22	500mA	0,5	77%	-10°...+40°C	70	
A40PLR3033WB	8,4	2,75	10,5*	12	700mA	0,5	73%	-10°...+40°C	70	ENEC 05
A40PLJ1061WB	8,4	2,75	21*	24	350mA	0,5	77%	-10°...+45°C	75	ENEC 05
A40PLJ1101WB	10,5	2,75	30	35	350mA	0,5	80%	-10°...+45°C	75	ENEC 05
A40PLJ2041WB	8,4	2,75	17	22	500mA	0,5	77%	-10°...+45°C	75	
A40PLJ3033WB	8,4	2,75	10,5*	12	700mA	0,5	73%	-10°...+45°C	75	ENEC 05
*in CC mode										

110 VAC supply										
Part number Codice prodotto	P out W @110V	V out LED @110V		U out DC (V max)	I out DC (mA)	$\lambda$ Power Factor	Efficiency @110V	ta °C	tc °C	Mark
		Min	Max							
A40PLR1061WB	8,4	2,75	21*	24	350mA	0,5	75%	-10°...+40°C	70	ENEC 05
A40PLR1101WB	8,4	2,75	24	35	350mA	0,5	76%	-10°...+40°C	70	ENEC 05
A40PLR2041WB	8,4	2,75	17	22	500mA	0,5	74%	-10°...+40°C	70	
A40PLR3033WB	8,4	2,75	10,5*	12	700mA	0,5	71%	-10°...+40°C	70	ENEC 05
A40PLJ1061WB	8,4	2,75	21*	24	350mA	0,5	75%	-10°...+45°C	75	ENEC 05
A40PLJ1101WB	8,4	2,75	24	35	350mA	0,5	76%	-10°...+45°C	75	ENEC 05
A40PLJ2041WB	8,4	2,75	17	22	500mA	0,5	74%	-10°...+45°C	75	
A40PLJ3033WB	8,4	2,75	10,5*	12	700mA	0,5	71%	-10°...+45°C	75	ENEC 05
*in CC mode										



## LED drivers – PLR & PLJ Round

### Constant current and voltage LED driver / Alimentatore per LED a corrente e tensione costante

Made in Italy 

#### Features

- PLR: **IP20** built-in driver
- PLJ: **IP65** built-in driver
- Class II protection against electric shock for direct or indirect contact
- Self-resetting protection against overtemperatures, open circuit and output short circuits

#### Caratteristiche

- PLR: Alimentatore da incorporare **IP20**
- PLJ: Alimentatore da incorporare **IP65**
- Protezione in classe II contro le scosse elettriche per contatti diretti e indiretti
- Protezione auto ripristinante contro le sovratemperature, il circuito aperto e il corto-circuito sul secondario

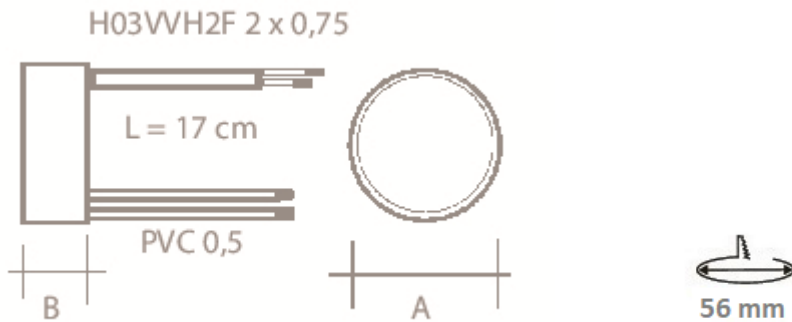
Other electrical data	
Nominal input voltage AC	110-240 V
Mains frequency	50/60 Hz
Surge capability (L-N)	> 1 kV
Nominal output voltage DC	See the table in page 1
Output voltage ripple (100 Hz)	< 5%
Standby power (P <sub>sb</sub> )	≤ 0,5 W
Networked stanby power (P <sub>net</sub> )	≤ 0,5 W
No-load proof	YES
Intended for no-load operation	NO
Insulation primary/secondary:	Class II SELV 3750V AC
Leakage current:	< 0,5 mA
Temperatures and operating conditions	
Ambient temperature range	-10...+40 °C (PLR)    -10...+45 °C (PLJ)
Storage temperature range	-15...+50 °C
Capabilities	
Dimmable	NO
Connections	
Cables cross-section (input side)	2 x 0,75 mm <sup>2</sup> white, double insulation, 25 cm.
Cables cross-section (output side)	2 x 0,5 mm <sup>2</sup> black and red PVC, 25 cm.
Nominal life-time	50000h @Ta 40 °C

## LED drivers – PLR & PLJ Round

Constant current and voltage LED driver / Alimentatore per LED a corrente e tensione costante

Made in Italy 

### Product dimensions



**PLR:** 54 mm (A) x 19 mm (B)

**PLJ:** 54 mm (A) x 20 mm (B)

### Product weight

A40PLR1061WB / A40PLR1101WB / A40PLR2041WB / A40PLR3033WB	40 gr.
A40PLJ1061WB / A40PLJ1101WB / A40PLJ2041WB / A40PLJ3033WB	90 gr.

#### Directives / Direttive:

2014/35/EU (LVD); 2014/30/EU (EMC); RoHS 2011/65/EU + 2015/863/EU (RoHS); 2009/125/ ECODESIGN regulation (EU) N° 2019/2020 and 341/2021 amendment

#### Standards compliance:

EN 61347-2-13:2014 + A1:2017; EN 61347-1:2015  
 EN 55015:2019 + A11:2020; EN 61000-3-3:2013; EN 61457:2009;  
 EN IEC 61000-3-2:2019 + A1:2021  
 EN 63000:2018  
 EN IEC 62442-3:2022

#### Conformità alle norme: